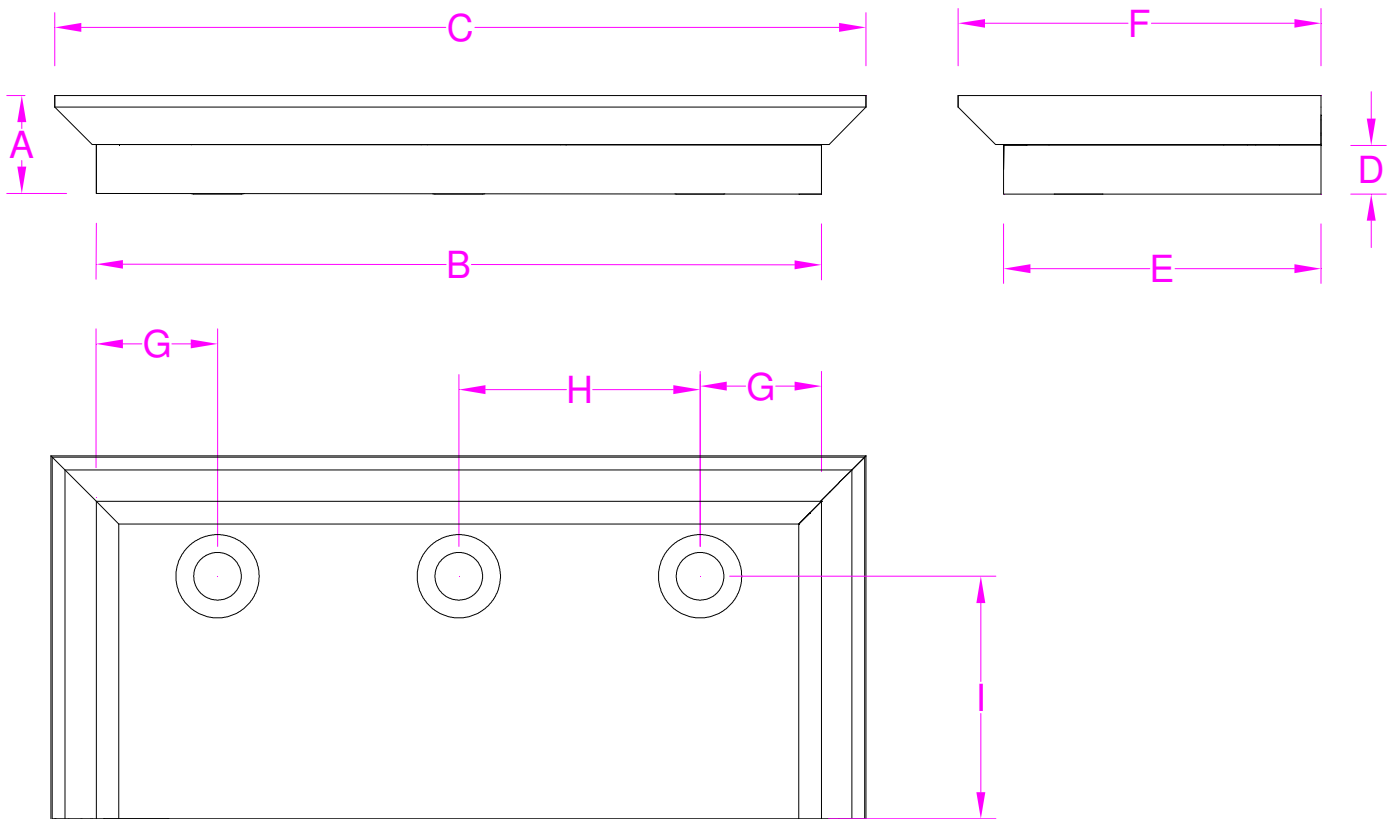




Flyover Specifications Overlay Collections

Bedford, Quentin, Revere and Springhill



Fly-Over Lights for over Regular Mirrored Cabinets and Framed Mirrors											
	FLY-OVER		Crown		Depth E	Crown		Spacing from edge to light G	Spacing between lights H	Spacing from Back I	Number of Lights
	Height A	Width B	Width C	Height D		Depth F					
LT21FL-	4 1/8	21	23 1/2	1 1/2	10 1/2	11 3/4	4 7/8	5 5/8	8	3	
LT24FL-	4 1/8	24	26 1/2	1 1/2	10 1/2	11 3/4	4 7/8	8	8	3	
LT30FL-	4 1/8	30	32 1/2	1 1/2	10 1/2	11 3/4	4 7/8	7 1/4	8	4	
LT36FL-	4 1/8	36	38 1/2	1 1/2	10 1/2	11 3/4	4 7/8	7	8	5	
LT42FL-	4 1/8	42	44 1/2	1 1/2	10 1/2	11 3/4	4 7/8	8 1/2	8	5	
LT48FL-	4 1/8	48	50 1/2	1 1/2	10 1/2	11 3/4	4 7/8	8	8	6	
Fly-Over Lights for over Breakfront Center Mirrored Cabinets											
LT24FLB	4 1/8	24	26 1/2	1 1/2	13 1/2	14 3/4	4 7/8	8	12	3	
LT30FL30B	4 1/8	30	32 1/2	1 1/2	13 1/2	14 3/4	4 7/8	7 1/4	13	4	