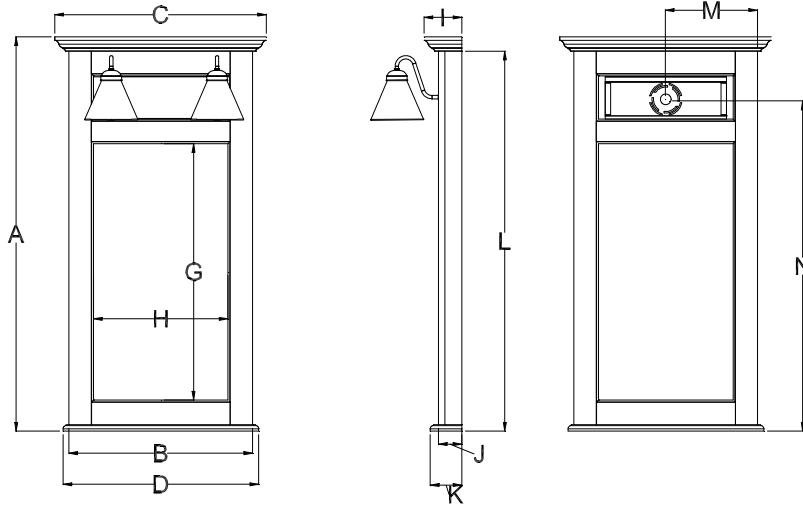




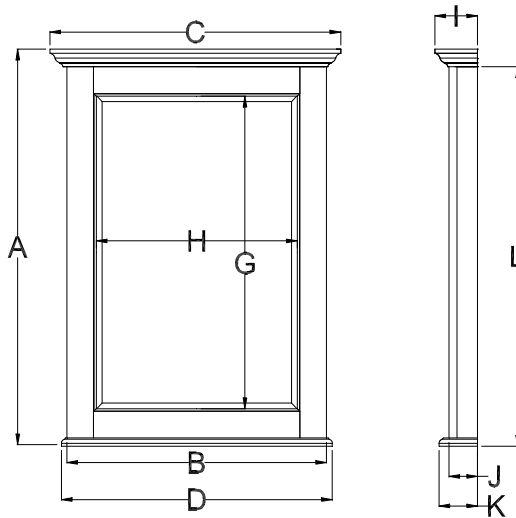
Framed Mirror Specifications Overlay Collections Ashford, Gentry, Lambiere and Valencia

Framed Mirror with lights



	Cabinet		Crown	Sill	Door		Mirror		Crown	Cab	Sill	Cab	Electric	
	Height A	Width B	Width C	Width D	Width E	Height F	Height G	Width H	Depth I	Depth J	Depth K	Height L	Width M	Height N
BM21LF-	45 5/8	21	24 5/8	22	NA	NA	28 3/4	15 5/8	4 1/4	2 3/8	3 1/2	42 3/4	10 1/2	37 1/2
BM24LF-	45 5/8	24	27 7/8	25	NA	NA	28 3/4	18 5/8	4 1/4	2 3/8	3 1/2	42 3/4	12	37 1/2
BM30LF-	45 5/8	30	33 7/8	31	NA	NA	28 3/4	24 5/8	4 1/4	2 3/8	3 1/2	42 3/4	15	37 1/2
BM21TF-	45 5/8	21	24 5/8	22	NA	NA	28 3/4	15 5/8	4 1/4	2 3/8	3 1/2	42 3/4	NA	NA
BM24TF-	45 5/8	24	27 7/8	25	NA	NA	28 3/4	18 5/8	4 1/4	2 3/8	3 1/2	42 3/4	NA	NA
BM30TF-	45 5/8	30	33 7/8	31	NA	NA	28 3/4	24 5/8	4 1/4	2 3/8	3 1/2	42 3/4	NA	NA

Framed Mirror



	Cabinet		Crown	Sill	Door		Mirror		Crown	Cab	Sill	Cab	Electric	
	Height A	Width B	Width C	Width D	Width E	Height F	Height G	Width H	Depth I	Depth J	Depth K	Height L	Width M	Height N
BM21PF-	37 7/8	21	24 5/8	22	NA	NA	28 3/4	15 5/8	4 1/2	2 3/8	3 1/2	35	NA	NA
BM24PF-	37 7/8	24	27 7/8	25	NA	NA	28 3/4	18 5/8	4 1/2	2 3/8	3 1/2	35	NA	NA
BM30PF-	37 7/8	30	33 7/8	31	NA	NA	28 3/4	24 5/8	4 1/2	2 3/8	3 1/2	35	NA	NA
BM36PF-	37 7/8	36	39 5/8	37	NA	NA	28 3/4	30 5/8	4 1/2	2 3/8	3 1/2	35	NA	NA
BM48PF-	37 7/8	48	51 3/4	49	NA	NA	28 3/4	42 5/8	4 1/2	2 3/8	3 1/2	35	NA	NA