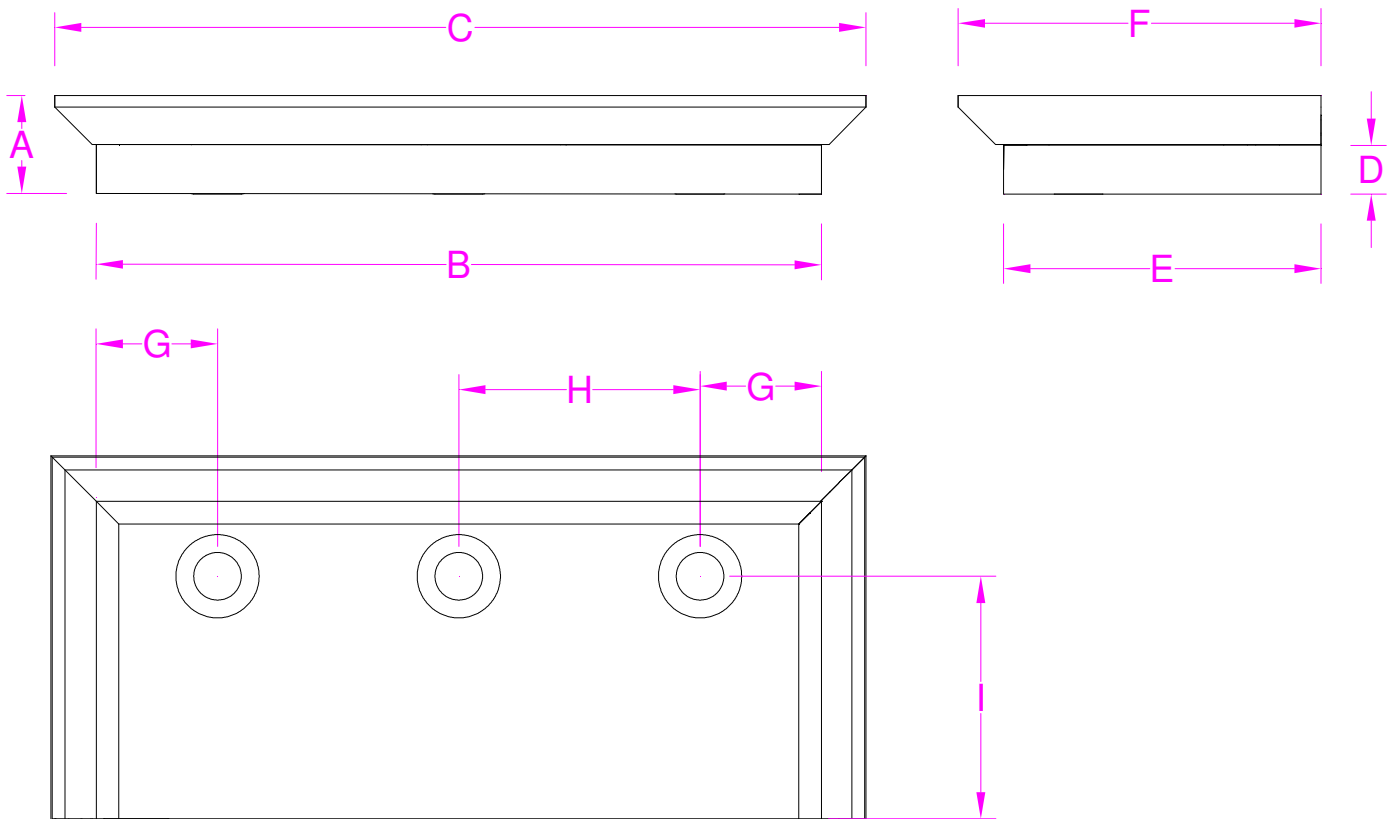




# Flyover Specifications

## Overlay Collections

Ashford, Gentry, Lambiere and Valencia



	FLY-OVER		Crown		Depth	Crown		Spacing from edge to light	Spacing between lights	Spacing from Back	Number of Lights
	Height A	Width B	Width C	Height D		Depth F	Spacing G				
LT21FL-	4 3/8	21	24 5/8	1 5/8	10	12 3/8	4 7/8	5 5/8	8	8	3
LT24FL-	4 3/8	24	27 3/4	1 5/8	10	12 3/8	4 7/8	8	8	8	3
LT30FL-	4 3/8	30	33 3/4	1 5/8	10	12 3/8	4 7/8	7 1/4	8	8	4
LT36FL-	4 3/8	36	39 5/8	1 5/8	10	12 3/8	4 7/8	7	8	8	5
LT42FL-	4 3/8	42	45 3/4	1 5/8	10	12 3/8	4 7/8	8 1/2	8	8	5
LT48FL-	4 3/8	48	51 5/8	1 5/8	10	12 3/8	4 7/8	8	8	8	6
<b>Fly-Over Lights for over Breakfront Center Mirrored Cabinets</b>											
LTFL24-	4 3/8	24	27 3/4	1 5/8	13 1/2	15 5/8	4 7/8	8	12	12	3
LTFL30-	4 3/8	30	33 3/4	1 5/8	13 1/2	15 5/8	4 7/8	7 1/4	13	13	4
<b>Lighted Caps</b>											
LTCL30-	5 1/2	30	33 3/4	2 3/4	16 7/8	18 3/4	6 3/8	5 3/4	14 3/8	14 3/8	4
LTCL36-	5 1/2	36	39 5/8	2 3/4	16 7/8	18 3/4	6 3/8	5 3/4	14 3/8	14 3/8	5
LTCL42-	5 1/2	42	45 3/4	2 3/4	16 7/8	18 3/4	6 3/8	5 3/4	14 3/8	14 3/8	5
LTCL48-	5 1/2	48	51 5/8	2 3/4	16 7/8	18 3/4	6 3/8	7	14 3/8	14 3/8	6