



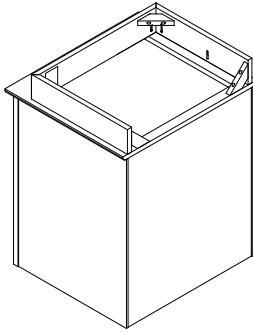
# Raised Toe Board

Replacement Instructions

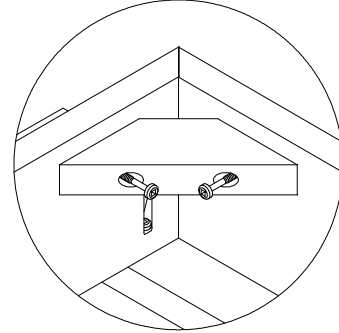
## Tools and Supplies

- Miter Saw
- Phillips (cross-tip) Screwdriver (cordless is ideal)

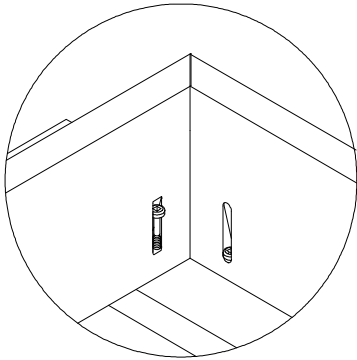
## Replace a Raised Toe Board



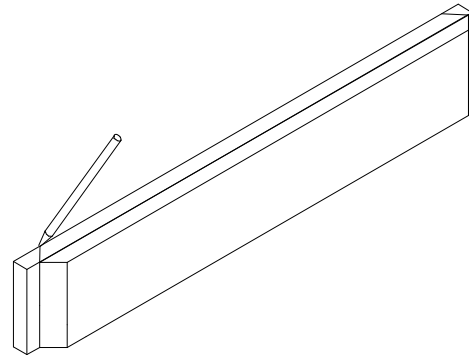
1. Turn the cabinet on its top.



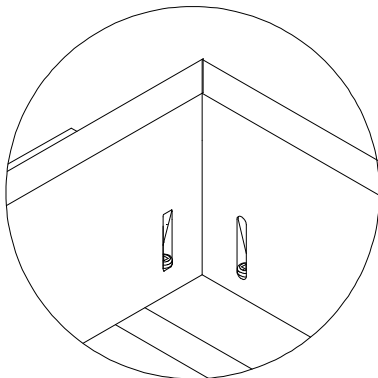
2. Remove the screws from the corner blocks with a Philips screwdriver.



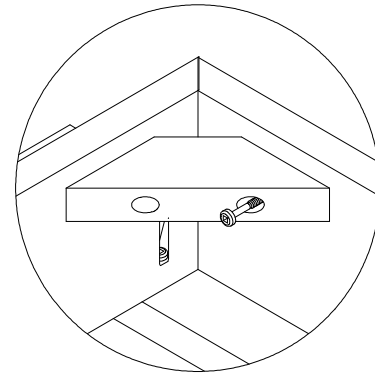
3. Remove the screws from the damaged toe board and remove it.



4. Mark the new toe board. Use the old toe board as a guide. Cut the new one little long and trim it until it fits.



5. Hold the toe board in place and replace the screws that were removed earlier.



6. Put the screw in the hole of the toe board that was not removed, (this will help hold it in place as you put the screw in the new toe board).